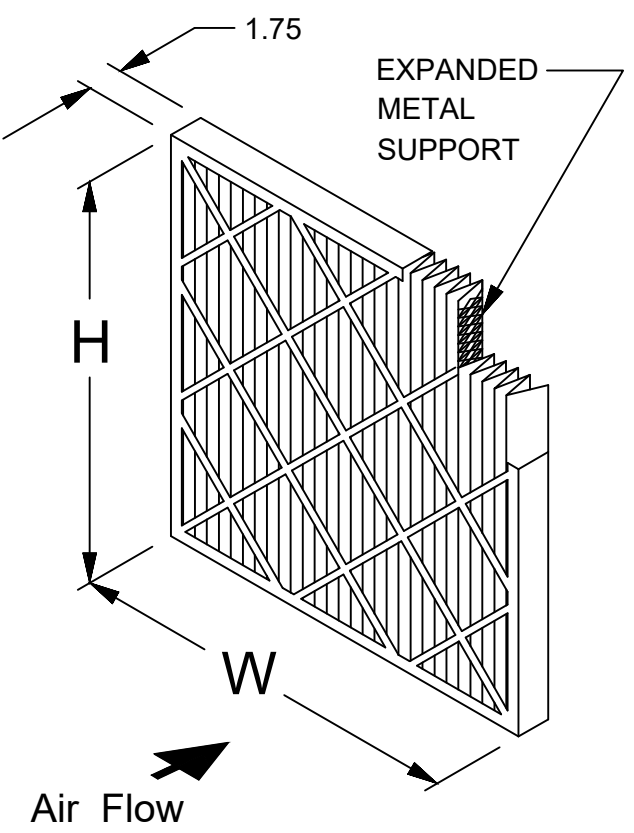


Nominal Size W x H x D (in)	Actual Size W x H x D (in)	Part Number	Capacity (CFM)	Resistance (in W.G.)	Media Area (sq ft)	Carton Qty	Weight per Carton (lbs)
10 x 20 x 2	9-1/2 x 19-1/2 x 1-3/4	102-380-011	700	0.27	4.0	12	8
12 x 12 x 2	11-1/2 x 11-1/2 x 1-3/4	102-112-035	500	0.27	2.7	12	8
12 x 20 x 2	11-1/2 x 19-1/2 x 1-3/4	102-112-002	850	0.27	4.5	12	8
12 x 24 x 2	11-3/8 x 23-3/8 x 1-3/4	102-380-012	1000	0.27	5.4	12	10
12 x 25 x 2	11-1/2 x 24-1/2 x 1-3/4	102-112-003	1050	0.27	5.6	12	10
14 x 20 x 2	13-1/2 x 19-1/2 x 1-3/4	102-380-013	975	0.27	5.5	12	10
14 x 25 x 2	13-1/2 x 24-1/2 x 1-3/4	102-380-014	1225	0.27	6.9	12	11
14 x 30 x 2	13-1/2 x 29-1/2 x 1-3/4	102-112-039	1450	0.27	8.3	12	12
15 x 20 x 2	14-1/2 x 19-1/2 x 1-3/4	102-380-015	1050	0.27	6.0	12	11
16 x 16 x 2	15-1/2 x 15-1/2 x 1-3/4	102-112-005	900	0.27	5.2	12	8
16 x 20 x 2	15-1/2 x 19-1/2 x 1-3/4	102-380-016	1125	0.27	6.5	12	12
16 x 24 x 2	15-1/2 x 23-1/2 x 1-3/4	102-380-053	1350	0.27	7.8	12	10
16 x 25 x 2	15-1/2 x 24-1/2 x 1-3/4	102-380-017	1400	0.27	8.1	12	13
16 x 30 x 2	15-1/2 x 29-1/2 x 1-3/4	102-112-018	1675	0.27	9.5	12	12
18 x 18 x 2	17-1/2 x 17-1/2 x 1-3/4	102-112-007	1125	0.27	6.3	12	10
18 x 20 x 2	17-1/2 x 19-1/2 x 1-3/4	102-112-015	1250	0.27	7.0	12	12
18 x 24 x 2	17-1/2 x 23-1/2 x 1-3/4	102-380-018	1500	0.27	8.4	12	15
18 x 25 x 2	17-1/2 x 24-1/2 x 1-3/4	102-112-009	1575	0.27	8.7	12	11
20 x 20 x 2	19-1/2 x 19-1/2 x 1-3/4	102-380-019	1400	0.27	8.0	12	13
20 x 24 x 2	19-1/2 x 23-1/2 x 1-3/4	102-380-020	1675	0.27	9.6	12	15
20 x 25 x 2	19-1/2 x 24-1/2 x 1-3/4	102-380-021	1750	0.27	10.0	12	15
20 x 30 x 2	19-1/2 x 29-1/2 x 1-3/4	102-112-010	2100	0.27	11.9	12	13
20 x 35 x 2	19-1/2 x 34-1/2 x 1-3/4	102-112-030	2450	0.27	13.9	12	15
24 x 24 x 2	23-3/8 x 23-3/8 x 1-3/4	102-380-022	2000	0.27	11.3	12	17
24 x 30 x 2	23-1/2 x 29-1/2 x 1-3/4	102-112-011	2500	0.27	14.3	12	14
25 x 25 x 2	24-1/2 x 24-1/2 x 1-3/4	102-380-050	2175	0.27	12.4	12	12



Standard Construction:

1. New White 100% Synthetic Media
2. Rust Resistant Expanded Metal Support on Downstream Side
3. Moisture Resistant Beverage Board Frame (24 point)
4. Double Wall Frame
5. 10 Pleats per Linear Ft.

Notes:

1. All Dimensions are in Inches Unless Otherwise Noted.
2. Drawing Not To Scale

Specifications:

1. Efficiency: MERV 10 (ASHRAE Standard 52.2-2017)
2. Final Resistance: 1.0" W.G.
3. Rated Velocity: 500 FPM
4. Classified per UL Standard 900
5. Max Operating Temp: 200 F (66C)
6. Tolerance: Height & Width - +/- 1/8"
7. Tolerance: Depth - +/- 1/16"



**Multi-Pleat XL10
2" Standard Capacity**

REV LTR	REVISION	BY / DATE

8401 Air Commerce Drive - Louisville KY 40219
Phone: (502) 634-4796 FAX: (502) 637-2280

Drawn By: Dave Miller
Date: 23 August, 2022

Revision